

# CAV12-LS-IS 4.0M 1mm-16mm

Introducing the New CAV12-LS-IS-4.0m 1mm-16mm (.04 to .629) Screw type bar separator system exclusively for the L12VII



- 6' max for 1mm-1.4mm (.04"- .055") bar
- 12' for 1.5mm-16mm (.059"- .629") bar
- 13mm channel set will come standard with the 13mm screw which is able to hold 12 bars
- Other channel sizes available: 4mm, 7mm, 10mm, 16mm
- Standard screw size 13mm (12 bars)
- 4mm screw holds 24 bars (option)
- 16mm screw holds 9 bars (option)
- Without changing the screw it's still a quick channel change over (20min)
- With screw change over approximately 45min

## PERFECT SYNCHRONIZATION

Engineered exclusively for CINCOM L12VII

# Specifications

<b>Model</b>	<b>CAV12-LS-IS-4.0M</b>
Bar diameter	2 to 16 mm <sup>1</sup>
Number of bars that can be accommodated	12 (Standard screw) 24 (Type 4 screw kit, optional)
Spindle height	1000 mm
Size	4M
Bar length	1829 to 4050 mm
Spindle support	Roller support of 4-roller type mounted in standrd mode (installed on the main device side)
Support and channel	1 set
Power source	Input power capacity: 0.6 kVA, Power voltage: 200/220 VAC, Frequency: 50/60 Hz (supplied from the main device side)
Oil	ISO VG20
Amount of oil	25 liters (6.6 gallons) <sup>2</sup>
Device mass	520 kg

<sup>1</sup> Small bar attachment (~Ø4, ~Ø7, ~Ø10, ~Ø16, optional) appropriate to material diameter is required.

<sup>2</sup> Customer to provide oil.

## Standard Attached Parts

	Item	Quantity
1	Pusher assembly	1 set
2	Finger chuck (FC)	1
3	Chuck joint (CJ)	1
4	Centering jig	1 set
5	One-touch collar	1 set
6	Spindle support	1 set

## Consumable Parts List

	Item	Quantity
1	Pusher assembly	1 set
2	Finger chuck (FC)	1
3	Chuck joint (CJ)	1
4	Centering jig	1 set
5	One-touch collar	1 set
6	Spindle support	1 set
7	Roller (for spindle supoort and workpiece support)	
8	Workpiece clamping claw	
9	Guide rail	
10	Telescopic pipe	

## Recommended oil

Manufacturer	Product name
MOBILE OIL	DTE oil light VG20
COSMO OIL	Hydraulic AW20
NIPPON OIL	Super Highland 20

[www.marucit.com](http://www.marucit.com)

# Marubeni Citizen-Cincom Inc.

40 Boroline Road  
Allendale, NJ 07401  
201-818-0100

2316 Touhy Avenue  
Elk Grove Village, IL 60007  
847-364-9060

17815 Newhope Street, Suite P  
Fountain Valley, CA 92708  
714-434-6224

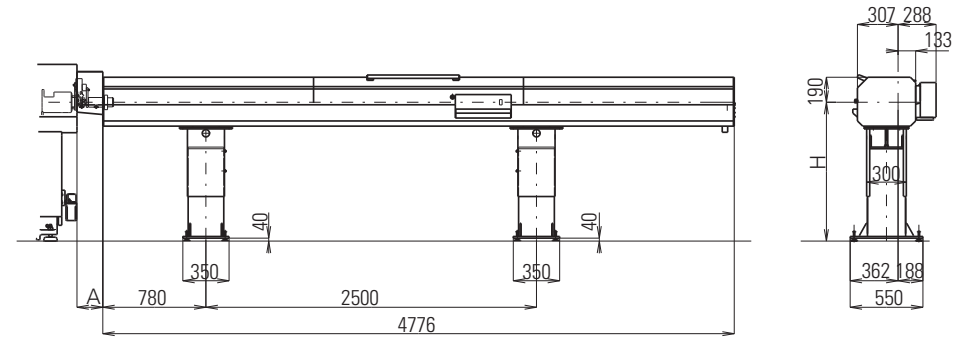
68 Moylan Lane  
Agawam, MA 01001  
413-786-6655

All specifications are subject to change without prior notice. This product is subject to the export control laws of the United States and other countries. A license may be required prior to export, reexport or transfer of these products. Please contact us for further information.

# Dimensions

**L12**

	<b>L12</b>
A	185
H	1000



## Unique Features

- Fully integrated into the machine control for easier operation and total control from a single console;
- Quicker response between the bar feeder and the machine's sliding headstock;
- Improved accuracy when specs are critical;
- A unique stabilizing mechanism to minimize wear and down time;
- Servo drives reduce moving parts, provide instantaneous insertion and braking response, and positioned bars to tenths accuracy with no following error;
- Hydrostatic oil support;
- Roller support system;
- Automatic remnant retraction;
- Versatility – round, hex and square stock;
- And just one company to contact for parts and service.